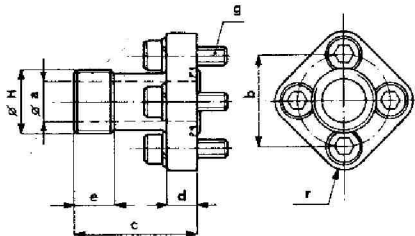
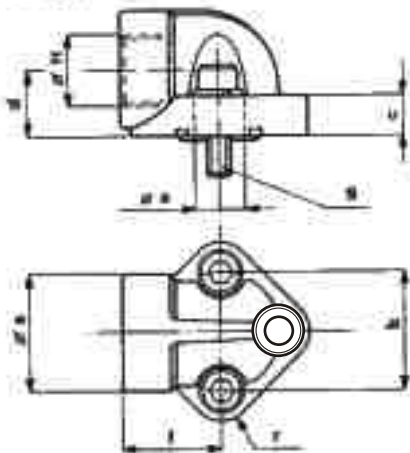




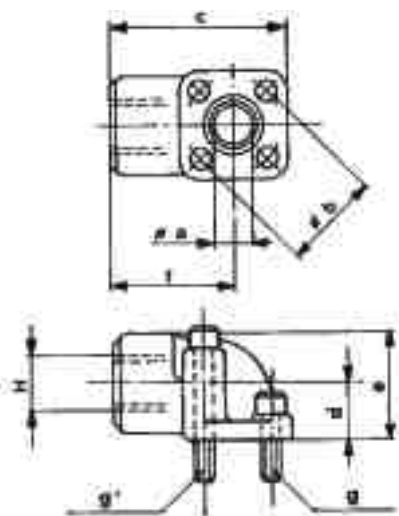
## RD



## RG



## RGB



GR.	TIPO	H	a	b	c	d	e	f	g	g1	CODICE DI ORDINAZIONE
1	RD-26/12	G 3/8"	12	26	32	10	13		M5 x 20		
	RD-26/12	M18 x 1.5	12	26	32	10	13		M5 x 20		
	RG-26/12	G 3/8"	12	26	10	16	30	25	M5 x 20		RACLM8000010
	RG-26/12	G 1/2"	12	26	10	16	30	25	M5 x 20		RACLM8001010
	RG-26/12	M18 x 1.5	12	26	10	16	30	25	M5 x 20		
	RGB-30/13	G 3/8"	13	30	58	18	34	39	M6 x 16	M6 x 40	RACLM8018010
	RGB-30/13	G 1/2"	13	30	58	18	34	39	M6 x 16	M6 x 40	RACLM8019010
2	RD-30/13,5	G 1/2"	13.5	30	40	10	13		M6 x 20		
	RD-40/20	G 3/4"	20	40	45	14	14		M8 x 25		
	RG-30/13,5	G 3/8"	13.5	30	8	17	30	25	M6 x 18		RACLM8003010
	RG-30/13,5	G 1/2"	13.5	30	8	17	30	25	M6 x 18		RACLM8004010
	RG-30/13,5	M18 x 1.5	13.5	30	8	17	30	25	M6 x 18		
	RG-40/20	G 1/2"	20	40	10	20	38	37	M8 x 22		RACLM8025010
	RG-40/20	G 3/4"	20	40	10	20	38	37	M8 x 22		RACLM8006010
	RG-40/23.5	G 3/4"	23.5	40	10	20	38	37	M8 x 22		
	RGB-35/13	G 3/8"	13	35	62	18	32	42	M6 x 20	M6 x 30	RACLM8020010
	RGB-35/13	G 1/2"	13	35	62	18	32	42	M6 x 20	M6 x 30	RACLM8021010
RGB-40/19	G 3/4"	19	40	64	24	44	42	M6 x 25	M6 x 45	RACLM8022010	
3	RD-40/20	G 3/4"	20	40	45	14	14		M8 x 25		
	RD-51/27	G 1"	27	51	50	16	18		M10 x 35		
	RG-40/20	G 3/4"	20	40	10	20	38	37	M8 x 22		RACLM8006010
	RG-51/27	G 1"	27	51	13	26	47	46	M10 x 30		RACLM8008010
3.5	RD-51/27	G 1"	27	51	50	16	18		M10 x 35		
	RD-62/34	G 1 1/4"	34	62	50	16	20		M10 x 35		
	RG-51/27	G 1"	27	51	13	26	47	46	M10 x 30		RACLM8008010
	RG-62/34	G 1 1/4"	34	62	15	33	55	54	M10 x 35		RACLM8009010
4	RG-72.5/40	G 1"	27	61	13	26	47	46	M10x30		RACLM8008010
	RG-72.5x40	G 1" 1/2	40	72.5	16	34.5	75	56	M12x35		RACLM7240112

I RACCORDI VENGONO FORNITI IMBUSTATI SINGOLARMENTE E COMPLETI DI VITI, ROSETTE E GUARNIZIONI OR.

